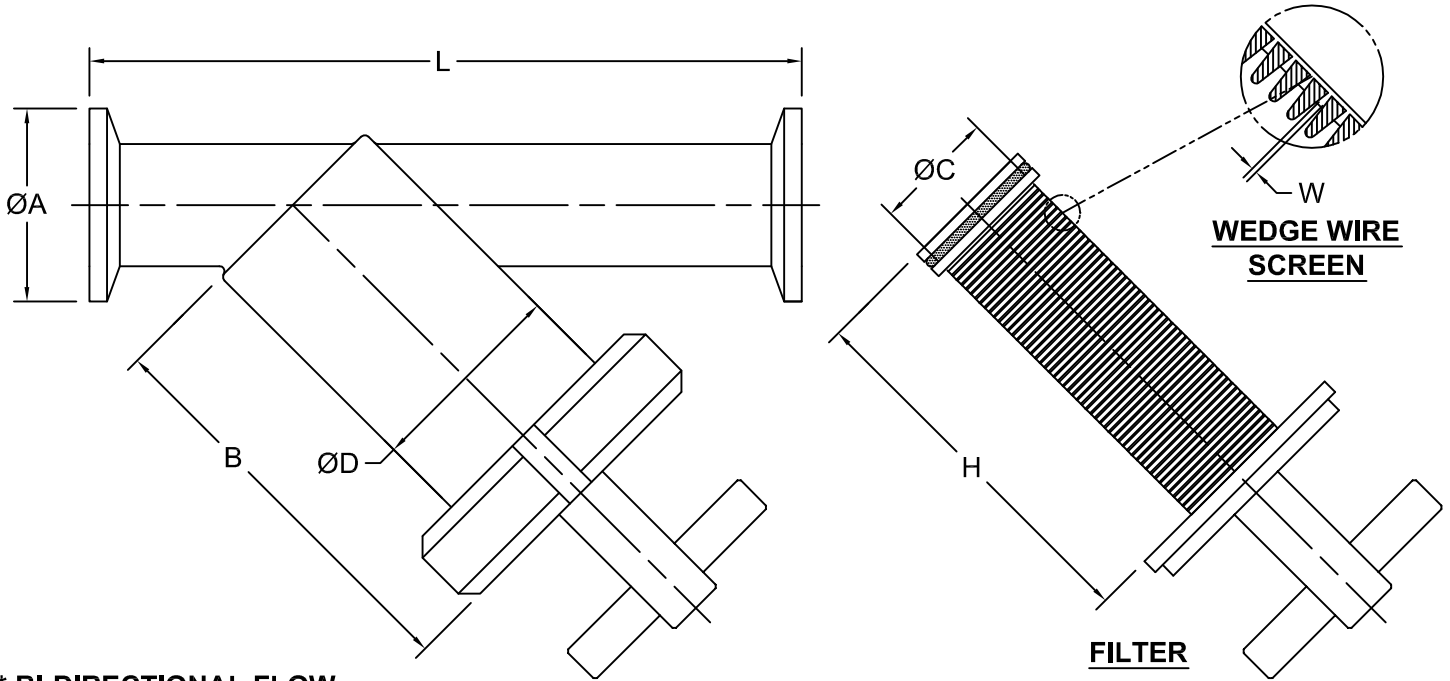


Y-TYPE WEDGE WIRE FILTER						FILTER	
SIZE		ØA [mm]	L [mm]	ØD [mm]	B [mm]	ØC [mm]	H [MM]
[inch]	[mm]						
1	25	50.5	170	45	110	30	98
1.5	38	50.5	205	63	130	40	118
2	51	64	225	76	150	53	138
2.5	63	77.4	275	89	185	70	173
3	76	91	310	102	205	70	193
4	102	119	390	133	270	108	258

WEDGE WIRE SCREEN			
W (mm)	MICRONS (µm)	MESH EQUIV.	USEFUL SURFACE (%)
0.40	400	40	28
0.30	300	60	23
0.20	200	80	17
0.10	100	165	10
0.05	50	325	5




- * BI-DIRECTIONAL FLOW
- * LONG LIFE WEDGE WIRE
- * CAN CLEAN FILTER WITHOUT REMOVING FROM PIPELINE

NOTES:

1. DIMENSIONS ARE FOR REFERENCE ONLY.
2. SANITARY POLISH INSIDE/OUTSIDE.
3. SILICONE SEALS.



REQUIRED BY CUSTOMER						
SIZE	QTY	MESH SIZE	MATERIAL		APPROVAL SIGNATURE	DATE (day/month/year)
			SS304	SS316L		

	TITLE:		
	HS Y TYPE CONNECTION WEDGE WIRE FILTER / STRAINER		
Sanitaire / Biopharma / Industriel	SIZE	DRAWING NO.	REV
WWW.HALESONINC.COM Tel. (450) 686-6663 Fax. (450) 686-7776	A	HS-YTYPE-WEDGE-FILTER	0
SCALE: NONE	DATE: 15 JANUARY 2020		SHEET 1 OF 1