



**ALL-FLO**  
PUMP CO.



**HYGIENIC AND SANITARY AIR DIAPHRAGM PUMPS**

# HYGIENIC AND SANITARY AIR DIAPHRAGM PUMPS

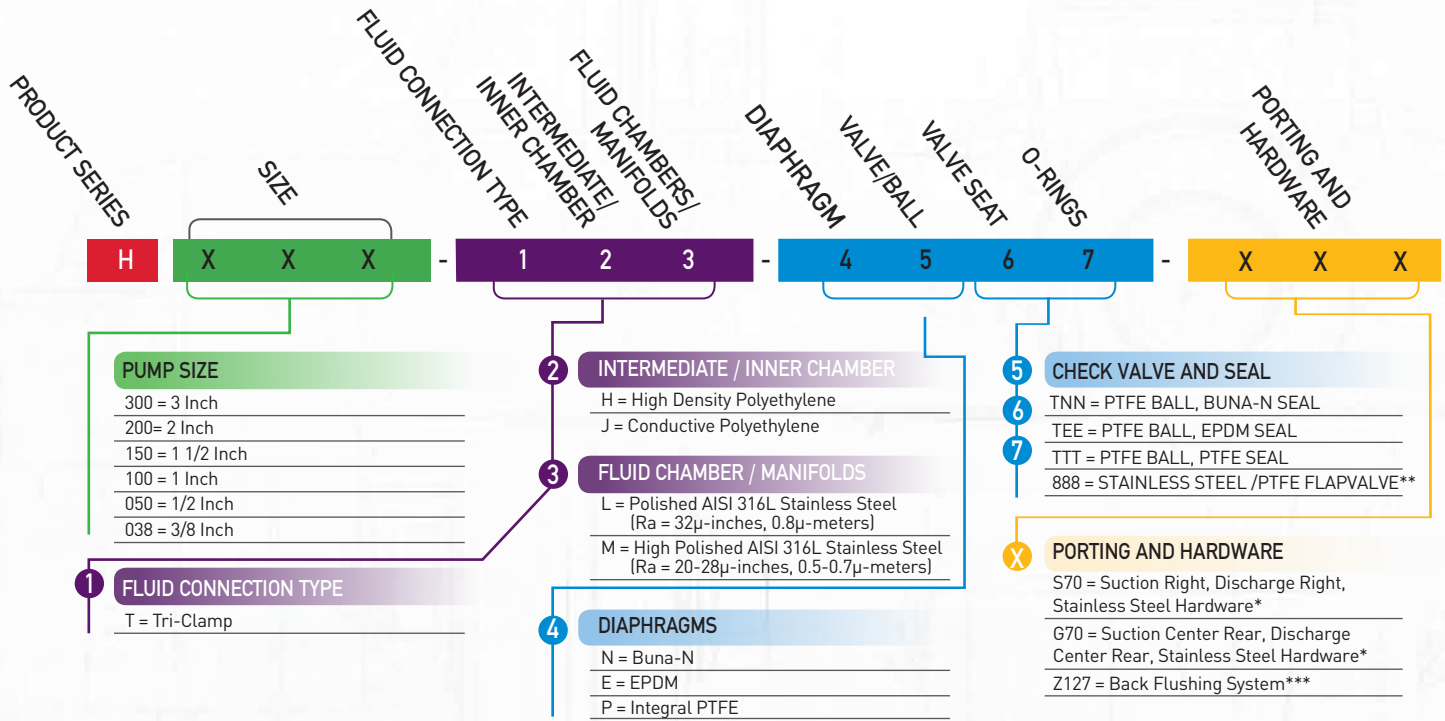


## HYGIENIC AND SANITARY PUMPS

- Various Sanitary Elastomers Available
- Highly Polished AISI Stainless Steel Wet End
- Standard Sanitary Tri-Clamp Connections
- Clean In Place Design

	H038	H050	H100	H150	H200	H300
<b>DIMENSION</b>						
Air Inlet	1/8"	1/4"	1/4"	1/2"	1/2"	3/4"
Liquid Inlet	1/2"	1"	1-1/2"	2"	2-1/2"	3"
Liquid Outlet	1/2"	1"	1-1/2"	2"	2-1/2"	3"
Weight	11 lbs (5kg)	17.6 lbs (8kg)	24.3 lbs (11kg)	57.3 lbs (26kg)	75 lbs (34kg)	187.4 lbs (85kg)
<b>PERFORMANCE</b>						
Max Capacity	7.9 gpm (30 lpm)	19.8 gpm (75 lpm)	33 gpm (125 lpm)	83 gpm (315 lpm)	150 gpm (565 lpm)	225 gpm (850 lpm)
Max Pressure	120 psi (8.2 bar)					
Max Solids	1/8" (4 mm)	3/16" (5 mm)	5/16" (8 mm)	7/16" (11 mm)	7/32" (14 mm)	19/32" (15 mm)
Max Solids with Flapper	0.86 in. (22mm) 1.49 in. (38mm) 1.89 in. (48mm) 2.59 in. (66 mm)					
Suction Lift Dry	4.9 ft-H <sub>2</sub> O (1.5 m-H <sub>2</sub> O)	9.8 ft-H <sub>2</sub> O (3 m-H <sub>2</sub> O)	13.1 ft-H <sub>2</sub> O (4 m-H <sub>2</sub> O)	13.1 ft-H <sub>2</sub> O (4 m-H <sub>2</sub> O)	16.4 ft-H <sub>2</sub> O (5 m-H <sub>2</sub> O)	16.4 ft-H <sub>2</sub> O (5 m-H <sub>2</sub> O)
Suction Lift Wet	29.5 ft-H <sub>2</sub> O (9.0 m-H <sub>2</sub> O)					
Temperature Limits						
Rubber, EPDM	176°F (80°C)					
PTFE	248°F (120°C)					

# MODEL DESIGNATION MATRIX

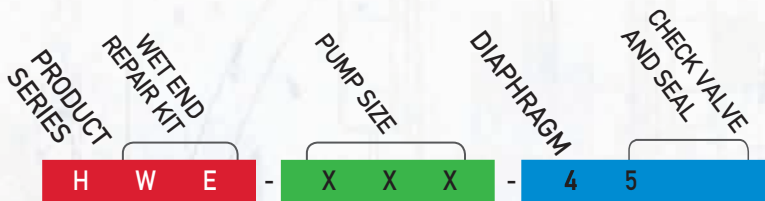


\*Additional fluid connection types and finishes available on upon request. Contact factory for details.

\*\*\* Only available on H050 and larger pumps.

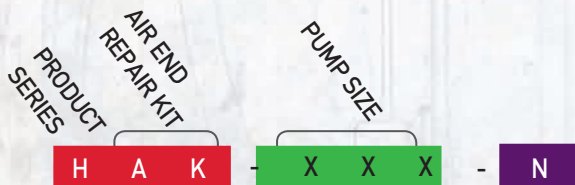
## WET END REPAIR KIT

Wet end kit contains 2 diaphragms, 4 balls, 4 seals, and 1 muffler.



## AIR END REPAIR KIT

Air end repair kit contains pump air-valve replacement.



### Pulsation Dampener

- Smooths Discharge Flow and Pressure
- Automatic Self-Charging and Self-Venting
- Sanitary AISI 316 Stainless Steel Housing Material
- Sanitary Tri-Clamp Connections
- FDA and Sanitary Grade Elastomers
- 3/8, 1/2, 3/4, 1, 1-1/2, 2, 3 Inch Sizes Available

See Pulsation Dampener Flyer for Additional Information and Product Specifications

- Additional fluid connection types and finishes available upon request. Contact factory for details.

\*\* H100, H150, H200, H300 with PTFE or EPDM Diaphragm only

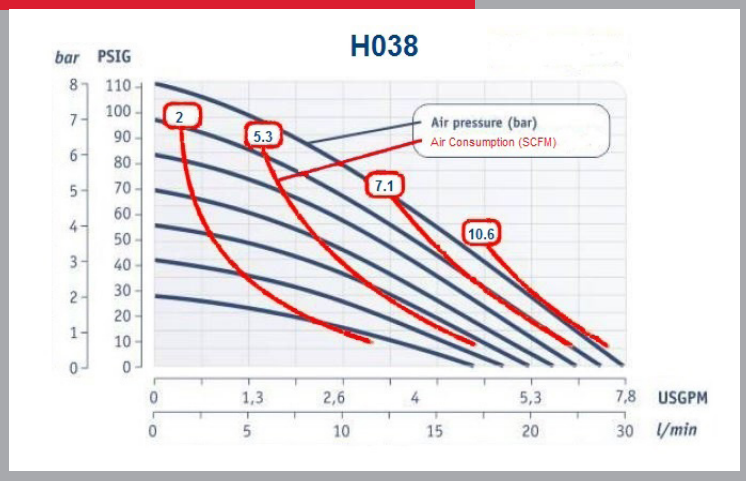
\* H038 only

• H050, H100, H150, H200 and H300

Viton® is a registered trademark of DuPont Performance Elastomers L.L.C.

# PERFORMANCE CURVES

## PERFORMANCE CURVE - H038



## H038 Performance Specifications

Max. Flow:	7.9 gpm (30 lpm)
Max. Air Pressure:	120 PSI (8.2 bar)
Max. Solids:	1/8" (3 mm)
Max. Suction Lift Dry:	4.9 ft-H <sub>2</sub> O (1.5 m-H <sub>2</sub> O)
Max. Suction Lift Wet:	29.5 ft-H <sub>2</sub> O (9 m-H <sub>2</sub> O)
Weight:	11 lbs (5 kg)
Air Inlet:	1/8"
Liquid Inlet:	1/2"
Liquid Outlet:	1/2"
Height:	12.5" (317 mm)
Width:	6.5" (165 mm)
Depth:	5.9" (150 mm)

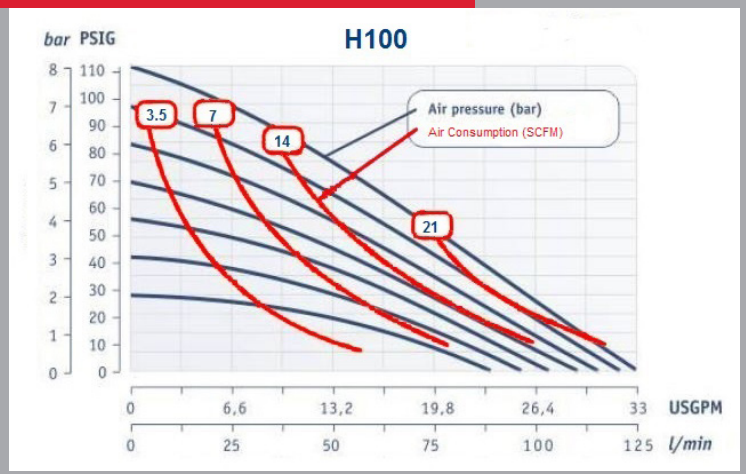
## PERFORMANCE CURVE - H050



## H050 Performance Specifications

Max. Flow:	14.5 gpm (55 lpm)
Max. Air Pressure:	120 PSI (8.2 bar)
Max. Solids:	3/16" (5 mm)
Max. Suction Lift Dry:	9.8 ft-H <sub>2</sub> O (3 m-H <sub>2</sub> O)
Max. Suction Lift Wet:	29.5 ft-H <sub>2</sub> O (9 m-H <sub>2</sub> O)
Weight:	17.6 lbs (8kg)
Air Inlet:	1/4"
Liquid Inlet:	1"
Liquid Outlet:	1"
Height:	17.2" (248 mm)
Width:	10.4" (264 mm)
Depth:	9.1" (230 mm)

## PERFORMANCE CURVE - H100

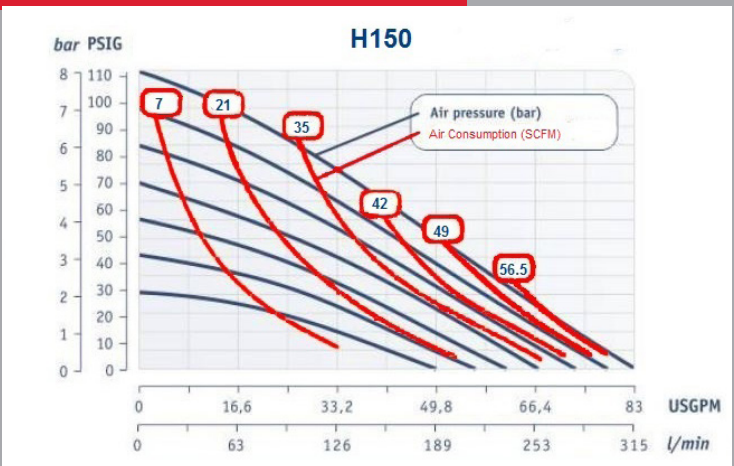


## H100 Performance Specifications

Max. Flow:	33 gpm (125 lpm)
Max. Air Pressure:	120 PSI (8.2 bar)
Max. Solids:	5/16" (8 mm)
Max. Suction Lift Dry:	13.1 ft-H <sub>2</sub> O (4 m-H <sub>2</sub> O)
Max. Suction Lift Wet:	29.5 ft-H <sub>2</sub> O (9 m-H <sub>2</sub> O)
Weight:	21 lbs (9.7 kg)
Air Inlet:	1/4"
Liquid Inlet:	1-1/2"
Liquid Outlet:	1-1/2"
Height:	19" (483 mm)
Width:	11.3" (287 mm)
Depth:	10.1" (256 mm)

# PERFORMANCE CURVES

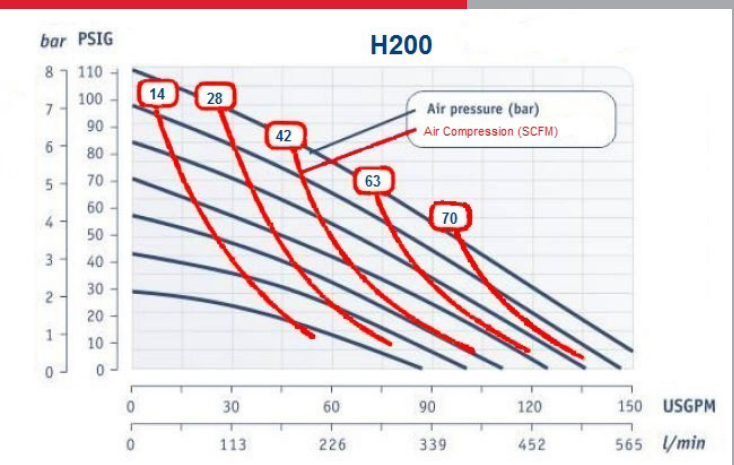
## PERFORMANCE CURVE - H150



## H150 Performance Specifications

Max. Flow:	83 gpm (315 lpm)
Max. Air Pressure:	120 PSI (8.2 bar)
Max. Solids:	7/16" (11 mm)
Max. Suction Lift Dry:	13.1 ft-H <sub>2</sub> O (4 m-H <sub>2</sub> O)
Max. Suction Lift Wet:	29.5 ft-H <sub>2</sub> O (9 m-H <sub>2</sub> O)
Weight:	57.3 lbs (26 kg)
Air Inlet:	1/2"
Liquid Inlet:	2"
Liquid Outlet:	2"
Height:	27.4" (697 mm)
Width:	15.2" (387 mm)
Depth:	13.8" (350 mm)

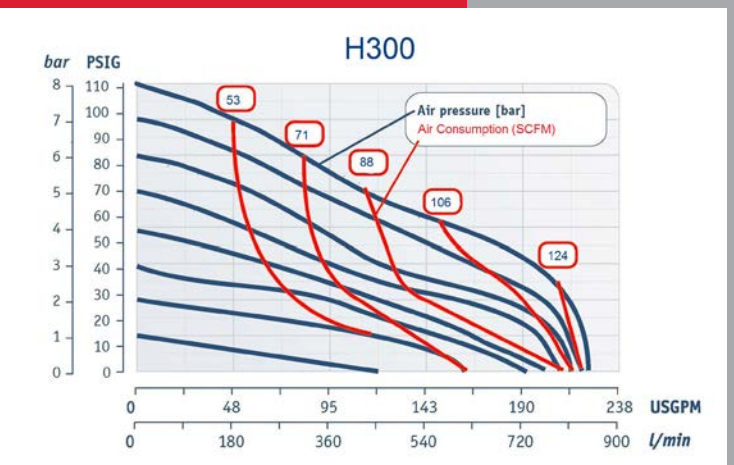
## PERFORMANCE CURVE - H200



## H200 Performance Specifications

Max. Flow:	150 gpm (565 lpm)
Max. Air Pressure:	120 PSI (8.2 bar)
Max. Solids:	7/32" (14 mm)
Max. Suction Lift Dry:	16.4 ft-H <sub>2</sub> O (5 m-H <sub>2</sub> O)
Max. Suction Lift Wet:	29.5 ft-H <sub>2</sub> O (9 m-H <sub>2</sub> O)
Weight:	75 lbs (34 kg)
Air Inlet:	1/2"
Liquid Inlet:	2-1/2"
Liquid Outlet:	2-1/2"
Height:	35.7" (906 mm)
Width:	18.1" (459 mm)
Depth:	13.8" (350 mm)

## PERFORMANCE CURVE - H300

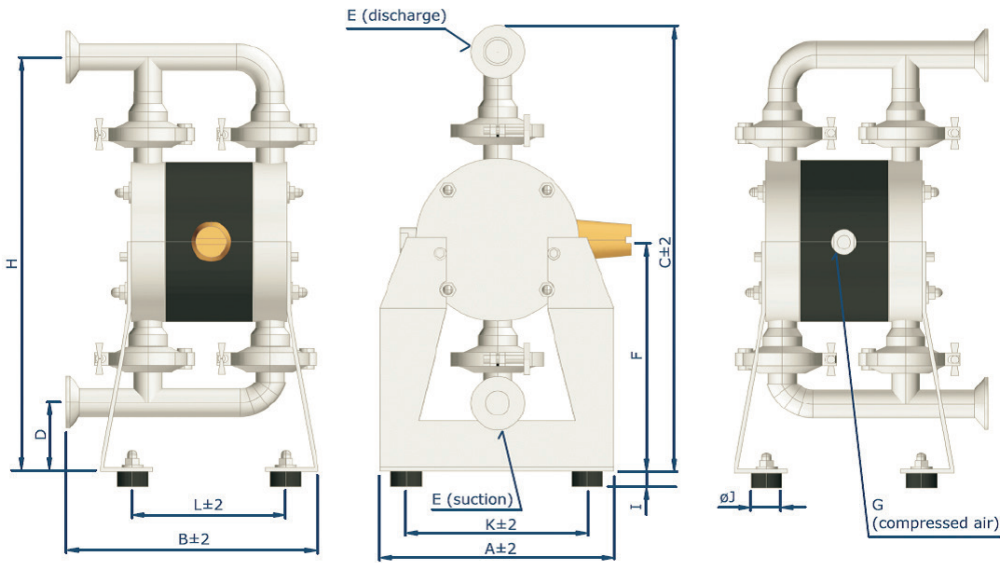


## H300 Performance Specifications

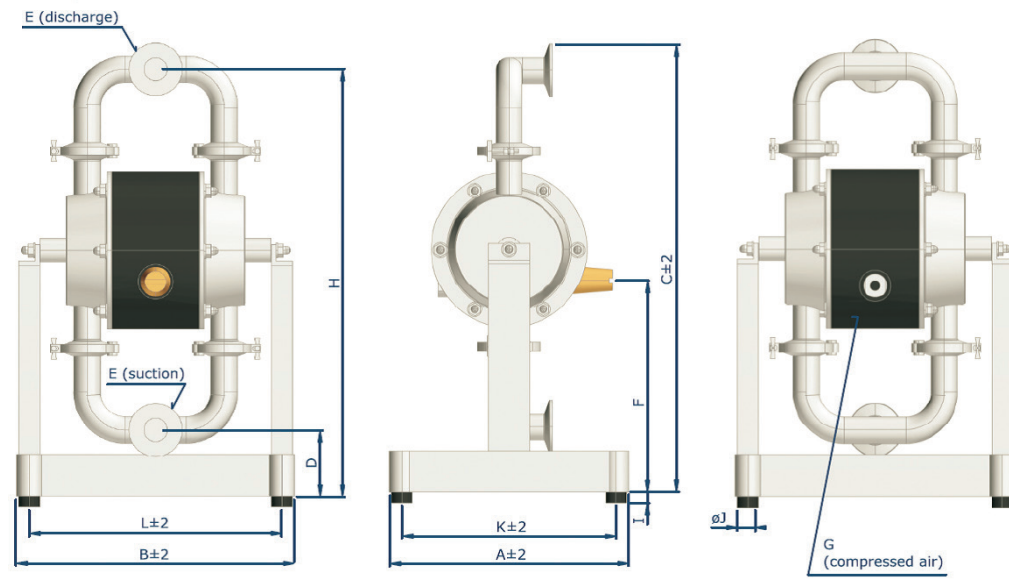
Max. Flow:	225 gpm (850 lpm)
Max. Air Pressure:	120 PSI (8.2 bar)
Max. Solids:	19/32" (15 mm)
Max. Suction Lift Dry:	16.4 ft-H <sub>2</sub> O (5 m-H <sub>2</sub> O)
Max. Suction Lift Wet:	29.5 ft-H <sub>2</sub> O (9 m-H <sub>2</sub> O)
Weight:	187.4 lbs (85 kg)
Air Inlet:	3/4"
Liquid Inlet:	3"
Liquid Outlet:	3"
Height:	52.3" (1328 mm)
Width:	23.6" (600 mm)
Depth:	23.2" (590 mm)

# PUMP DIMENSIONS

## H038



## H050, H100, H150, H200, H300



	A	B	C	D	TC	E	DN	F	G	H	I	J	K	L
<b>H038</b>	5.9" (150mm)	6.5" (165mm)	11.8" (299mm)	1.8" (46mm)	1/2"	15mm 0.6"		6.4" (162mm)	1/8"	11.1" (282mm)	.70" (18mm)	1.2" (30mm)	4.6" (116mm)	4.1" (103mm)
<b>H050</b>	9.1" (230mm)	10.4" (264mm)	16.5" (419mm)	3.0" (75mm)	1"	25mm 1"		8.0" (204mm)	1/4"	15.5" (394mm)	.70" (18mm)	1.2" (30mm)	8.1" (206mm)	9.4" (238mm)
<b>H100</b>	10.1" (256mm)	11.3" (287mm)	18.3" (465mm)	2.6" (67mm)	1 1/2"	40mm 1.6"		8.7" (221mm)	1/4"	17.3" (440mm)	.70" (18mm)	1.2" (30mm)	8.9" (226mm)	10.1" (257mm)
<b>H150</b>	13.8" (350mm)	15.2" (387mm)	26.7" (679mm)	4.0" (102mm)	2"	50mm 2.0"		9.7" (247mm)	1/2"	25.2" (640mm)	.70" (18mm)	1.2" (30mm)	12.8" (325mm)	14.1" (357mm)
<b>H200</b>	13.8" (350mm)	18.1" (459mm)	35.0" (888mm)	5.0" (126mm)	2 1/2"	65mm 2.6"		14.1" (357mm)	1/2"	33.1" (842mm)	.70" (18mm)	1.2" (30mm)	12.8" (326mm)	17.1" (435mm)
<b>H300</b>	23.2" (590mm)	23.6" (600mm)	51.6" (1310mm)	5.1" (129mm)	3"	80mm 3.2"		27.1" (688mm)	3/4"	49.5" (1257mm)	.70" (18mm)	1.2" (30mm)	22.2" (565mm)	22.6" (575"

# HYGIENIC AND SANITARY AIR OPERATED DIAPHRAGM PUMPS

## FEATURES AT A GLANCE

- Quick Disassembly Clamp System
- Self Priming
- Clean In Place Design
- Standard Finishes Available:
  - Polished AISI 316L Stainless Steel (Ra = 32 $\mu$ -inches, 0.8 $\mu$ -meters) or
  - High Polished AISI 316L Stainless Steel (Ra = 20-28 $\mu$ -inches, 0.5-0.7  $\mu$ -meters)
- Hygienic Elastomers
- Complete Visual Inspection of Wetted Parts
- Lubrication Free Air System
- Maintenance Free Ball Check Valve System

## Applications

- Food
- Beverage
- Pharmaceutical
- Cosmetics
- Healthcare





**AUTO/PLATING & FINISHING**




**CERAMIC SLIP / GLAZE**



**CHEMICAL / PETROCHEMICAL**




**FOOD & BEVERAGE**



**MINING**



**OEMS**



**OIL & GAS / REFINERY**



**PAINT & COATING**

ALL-FLO is committed to the pursuit of designing and manufacturing the highest quality product available to industry. Since the beginning in 1986, All-Flo engineers have used their extensive knowledge of today's engineered materials, advanced air system logic and manufacturing techniques to develop the superior group of lube-free, air-operated diaphragm pumps found in this catalog. Every pump is performance engineered and quality built to provide trouble-free service under the toughest conditions.



7750 Tyler Blvd.  
Mentor, Ohio 44060  
phone: 440.354.1700  
fax: 440.354.9466  
all-flo.com

13965-Hxxx

**YOUR AUTHORIZED ALL-FLO DISTRIBUTOR**