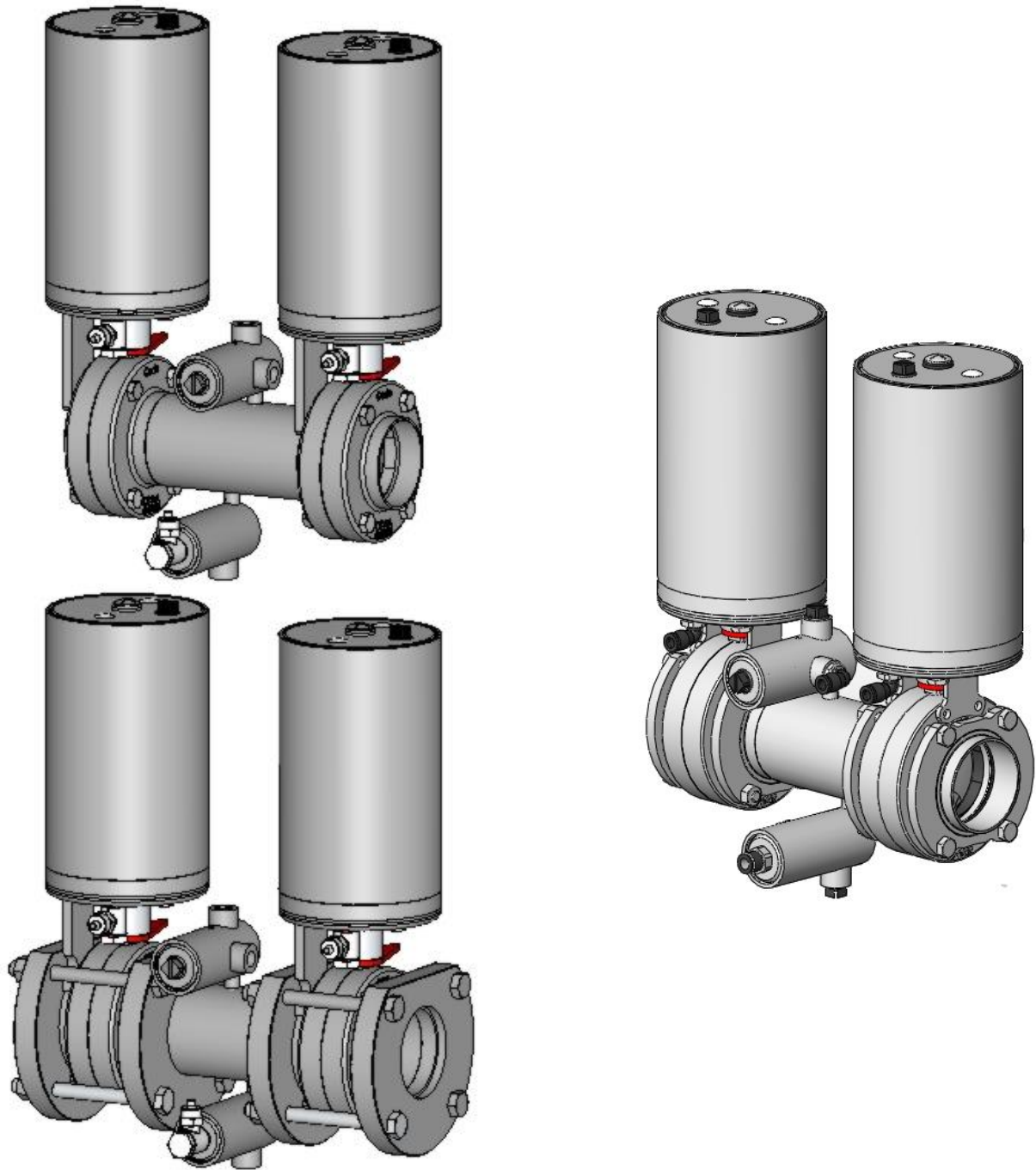


---

# **STANDARD, INTERFLANGE STANDARD & INTERFLANGE COMPACT DOUBLE-SEALED AUTOMATIC BUTTERFLY VALVES**

---



[www.definox.com](http://www.definox.com)

TABLE OF CONTENTS

<b>1 CHANGE MANAGEMENT</b>	<b>3</b>
<b>2 SAFETY</b>	<b>4</b>
2.1 IMPORTANT INFORMATION	4
2.2 GENERAL INFORMATION	4
<b>3 INTRODUCTION</b>	<b>5</b>
<b>4 LEAK AND WASHING CONTROL PARTS.</b>	<b>6</b>
4.1 LEAK AND WASHING CONTROL SUBASSEMBLY AND DPAX STANDARD.	6
4.2 LEAK AND WASHING CONTROL SUBASSEMBLY AND DPAX INTERFLANGE STANDARD.	7
4.3 LEAK AND WASHING CONTROL SUBASSEMBLY AND DPAX INTERFLANGE COMPACT.	8

**1 CHANGE MANAGEMENT**

<b>CHANGES</b>	<b>INDEX</b>	<b>DATE</b>	<b>PAGE(S)</b>	<b>INITIALS</b>
New version	1	January 2006	/	R. GABORIT
Drawings and quantity changed + Ø tube	2	February 2006	6, 7, 8 & 9	R. GABORIT
Add DPAX interflange compact double-sealed	3	April 2013	5, 8, 9 & 10	G.BEGAUD

## 2 SAFETY

### 2.1 IMPORTANT INFORMATION

Always read the maintenance notice before manipulating the valve

Failure to observe these instructions can result in serious bodily injury or loss of life.



This can also result in less serious injuries or damage to the equipment.



Electricity can result in serious bodily injury or loss of life.



This can also result in less serious injuries or damage to the equipment.

### 2.2 GENERAL INFORMATION



The following advice is given to ensure optimum use of the equipment.

- The tasks must be performed in the order specified.

---

---

**MAINTENANCE NOTICE FOR STANDARD OR INTERFLANGE STANDARD OR  
INTERFLANGE COMPACT AUTOMATIC BUTTERFLY VALVES DPAX.**

---

---

### **3 INTRODUCTION**

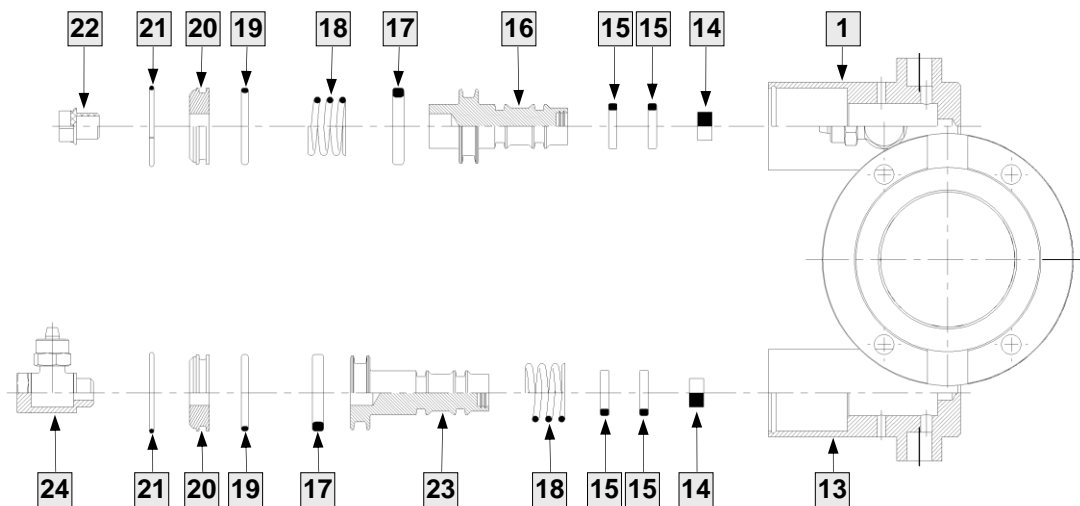
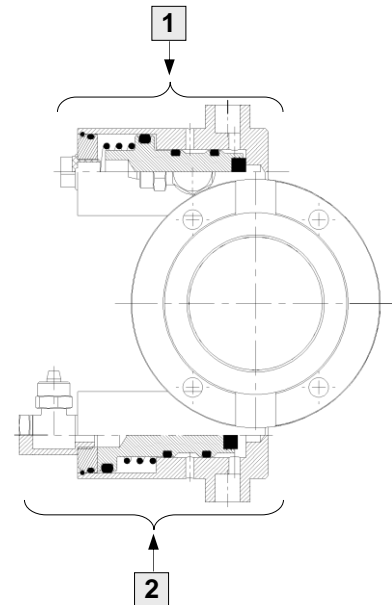
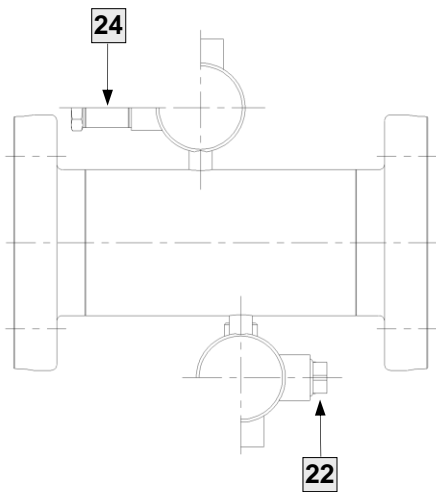
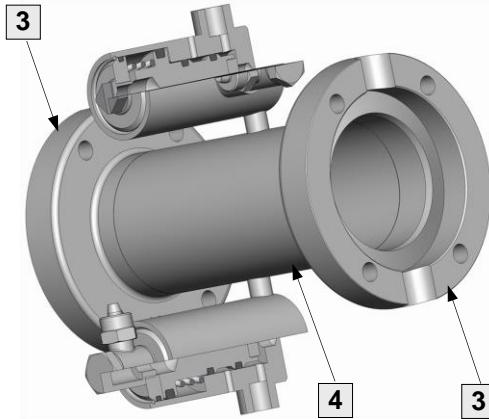
To assemble and disassemble the double-sealed automatic valve, refer to maintenance notice IT-TDFX-039 for standard automatic butterfly valves, refer to maintenance notice IT-TDFX-253 for interflange standard automatic butterfly valves and refer to maintenance notice IT-TDFX-222 for interflange compact automatic butterfly valves

Also refer to this notice for parts common to single and double-sealed valves.

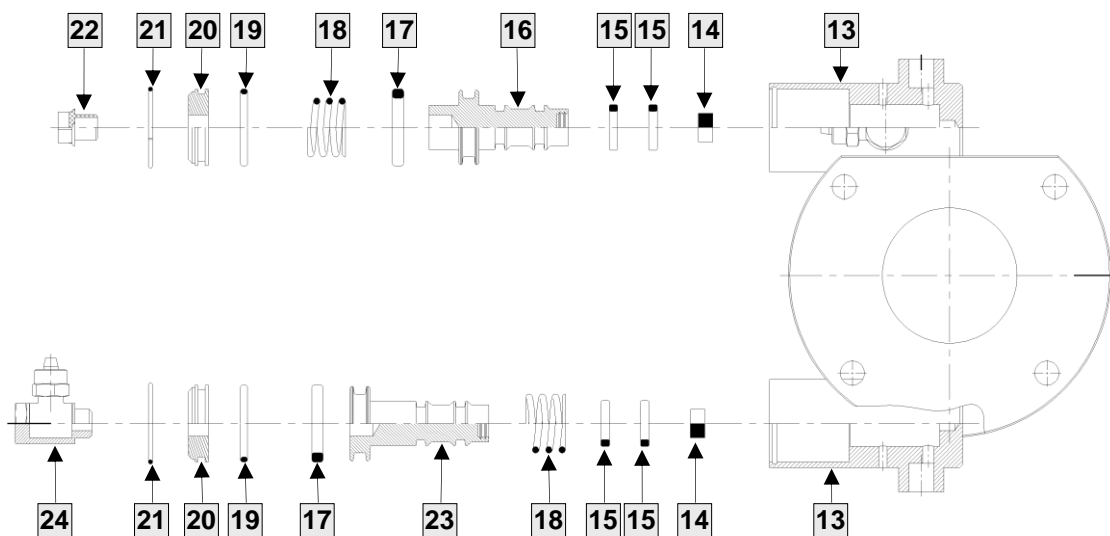
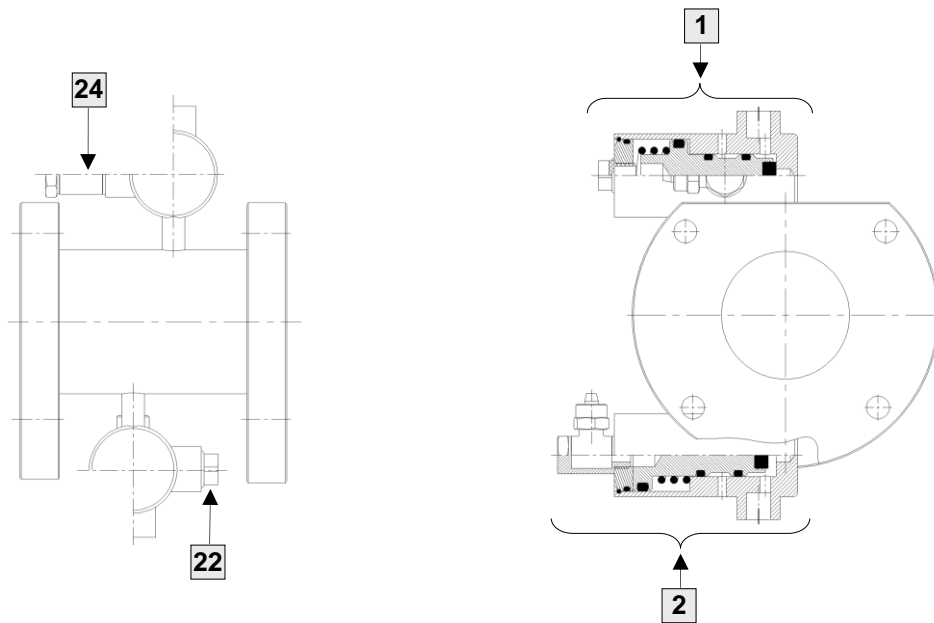
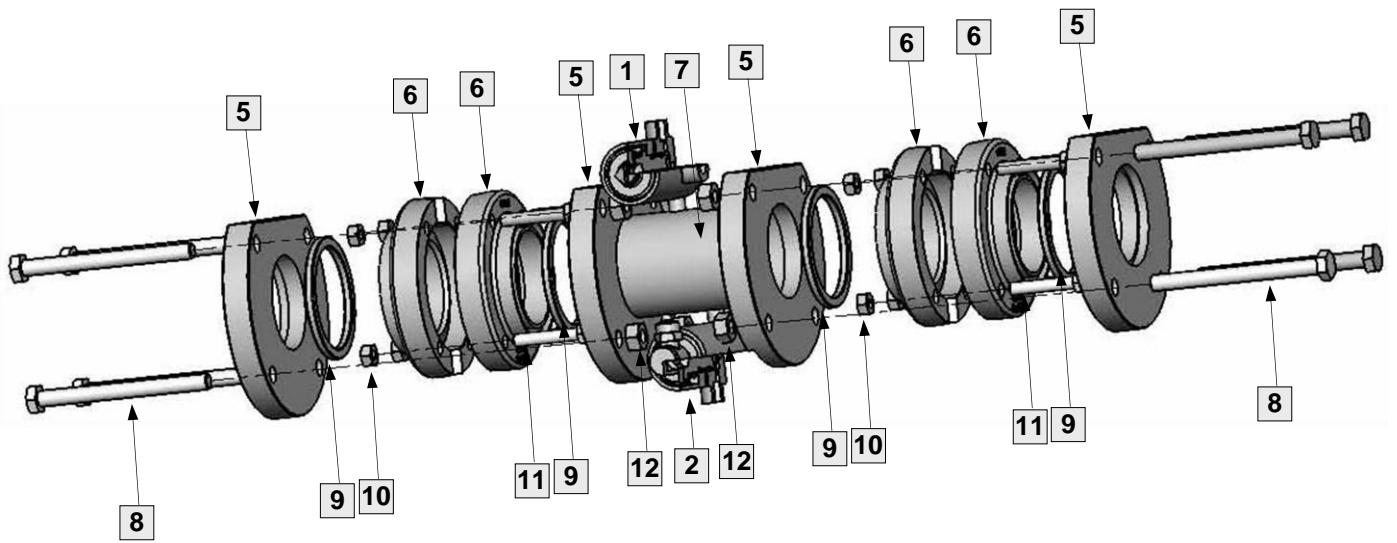
See the end of this document for parts specific to this valve.

**4 LEAK AND WASHING CONTROL PARTS.**

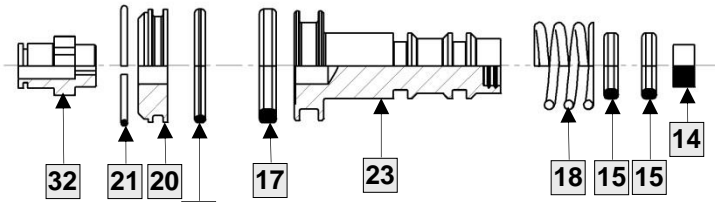
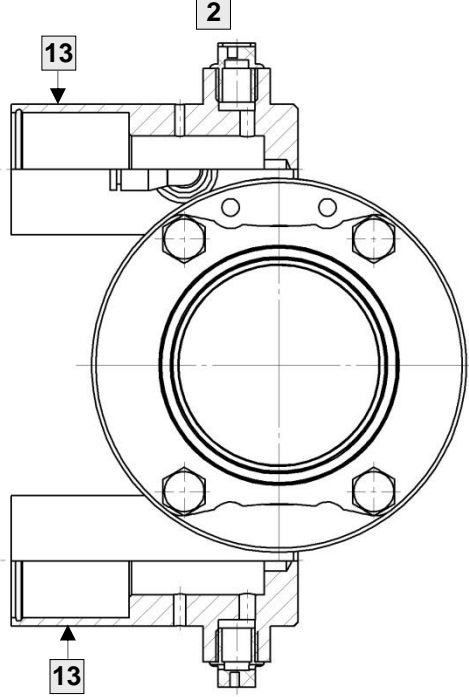
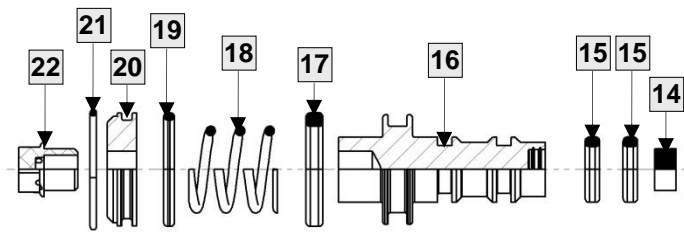
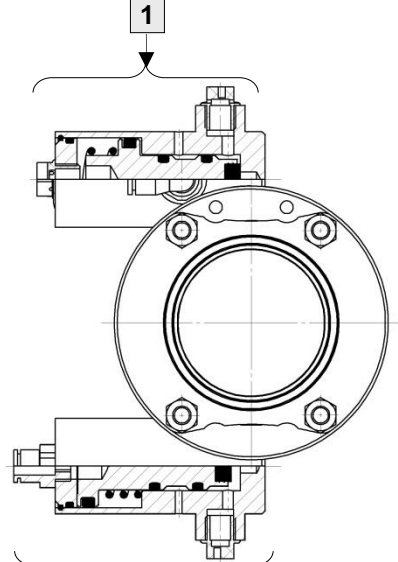
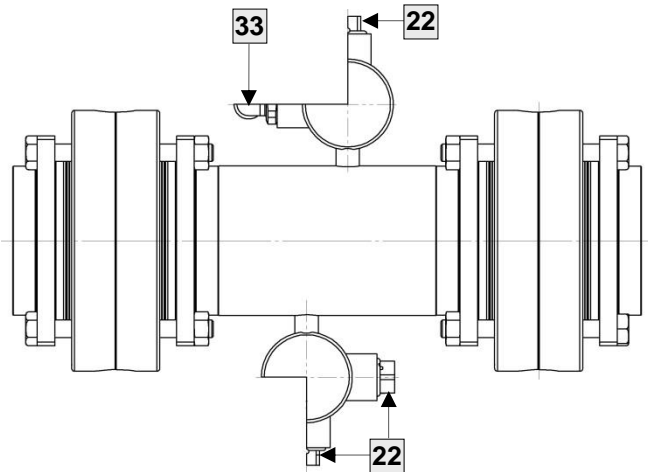
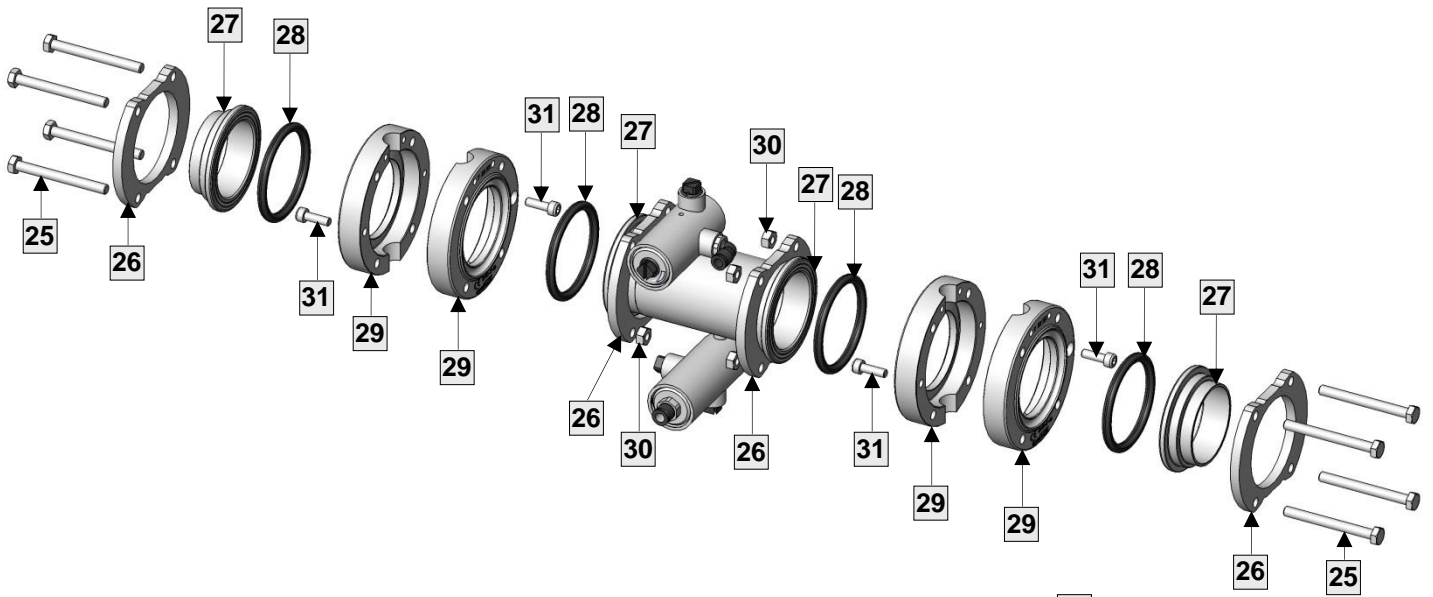
**4.1 LEAK AND WASHING CONTROL SUBASSEMBLY AND DPAX STANDARD.**



4.2 LEAK AND WASHING CONTROL SUBASSEMBLY AND DPAX INTERFLANGE STANDARD.



**4.3 LEAK AND WASHING CONTROL SUBASSEMBLY AND DPAX INTERFLANGE COMPACT.**





List of leak and washing control parts and subassemblies  
DPAX DE standard, interflange standard and interflange compact

Ref.	DESCRIPTION	No.	DN25 - 150
1	Washing control assembly	0/1	7170597
2	Leak control assembly	1	7170596
3	Standard welded half casing	4	Refer to [2] of maintenance notice No. IT-TDFX-039
4	Standard connecting tube DPAX DE	1	See following page
5	Welding flange	4	Refer to [9] of maintenance notice No. IT-TDFX-253
6	Interflange half casing	4	Refer to [11] of maintenance notice No. IT-TDFX-253
7	Interflange connecting tube DPAX DE	1	See following page
8	Flange assembly bolt	8/16	Refer to [12] of maintenance notice No. IT-TDFX-253
9	Half casing/flange sealing joint	4	Refer to [10] of maintenance notice No. IT-TDFX-253
10	Half casing assembly nut	8/12/16/20	Refer to [7] of maintenance notice No. IT-TDFX-253
11	Half casing assembly bolt	8/12/16/20	Refer to [1] of maintenance notice No. IT-TDFX-253
12	Flange assembly nut	8/16	Refer to [8] of maintenance notice No. IT-TDFX-253
13	Control casing	1/2	7001474
14	Leak and washing control joint	1/2	7006544
15	Piston joint	2/4	7380610
16	Washing control piston	0/1	7001482
17	Control joint	1/2	7006007
18	Control spring	1/2	7007708
19	Base control joint	1/2	7006005
20	Base control	1/2	7814097
21	Ring control	1/2	7007704
22	Washing control stopper	1/2	7002496
23	Leak control piston	1	7001475
24	Leak control air hose	1/2	7380162
25	Flange compact assembly bolt	8/12/16	Refer to [1] of maintenance notice No. IT-TDFX-222
26	Flanges compact	4	Refer to [2] of maintenance notice No. IT-TDFX-222
27	Welding ends	4	Refer to [3] of maintenance notice No. IT-TDFX-222
28	Half casing/flange compact sealing joint	4	Refer to [10] of maintenance notice No. IT-TDFX-222
29	Interflange compact half casing	4	Refer to [9] of maintenance notice No. IT-TDFX-222
30	Flange compact assembly nut	8/12/16	Refer to [11] of maintenance notice No. IT-TDFX-222
31	Half casing assembly bolt	4/8	Refer to [4] of maintenance notice No. IT-TDFX-222
32	Clickfit Ø6	1	7009065
33	Adjustable male elbow	1	7010116
34	Interflange compact connecting tube DPAX DE	1	See following page

Reference for the leak and washing control joint set

DESCRIPTION	DN25/150
Leak and washing control joint kit	7000597

Length of standard, interflange standard and interflange compact connecting tube  
DPAX DE

DN			Tube diameter	Standard DPAX	Interflange standard DPAX	Interflange compact DPAX
SMS	DIN	US				
25		1"	25 x 1,2	95	77	76
			25,4 x 1,65	95	77	76
	25		29 x 1,5	95	77	76
	32		35 x 1,5	95	77	74
38		1"½	38 x 1,2	95	77	74
			38.1 x 1,65	95	77	74
	40		41 x 1,5	95	77	74
			51 x 1,25	95	77	74
51		2"	50,8 x 1,65	95	77	74
			53 x 1,5	95	77	74
63		2"½	63,5 x 1,65	95	77	62
			63,5 x 1,65	95	77	62
	65		70 x 2	95	77	62
			76 x 2	95	77	62
76		3"	76,2 x 1,65	95	77	62
			85 x 2	93	75	62
	80		104 x 2	93	75	90
	100		101,6 x 2	93	75	
104		4"	104 x 2	93	75	90
			129 x 2	93	75	88
	150		154 x 2	102	85	

[www.definox.com](http://www.definox.com)

[info@definox.com](mailto:info@definox.com)

**FRANCE**

DEFINOX SAS  
3 Rue des Papetiers - Z.A.C de Tabari 2  
44190 CLISSON - France  
Tel : +33 (0)2 28 03 98 50 Fax : +33 (0)2 28 03 88 00

**USA**

DEFINOX INC.  
16720 W. Victor Road  
New Berlin – WISCONSIN 53151 – USA  
Tel : (1) 262 797 5730 - Fax : (1) 262 797 5735

**CHINA**

DEFINOX Beijing Stainless Steel Equipment Ltd  
No 18 Anningzhuang East Road – HAIDIAN District  
BEIJING 100085 – CHINA  
Tel : (86) 10.6293.4909 - Fax : (86) 10.6293-4835

The product specifications of this document are indicative and may be modified according to technological developments.  
None of the photographs, designs and diagrams are binding.

This document is our property. It may not be copied, reproduced, modified or translated without our express authorization.  
DEFINOX is a registered trademark.