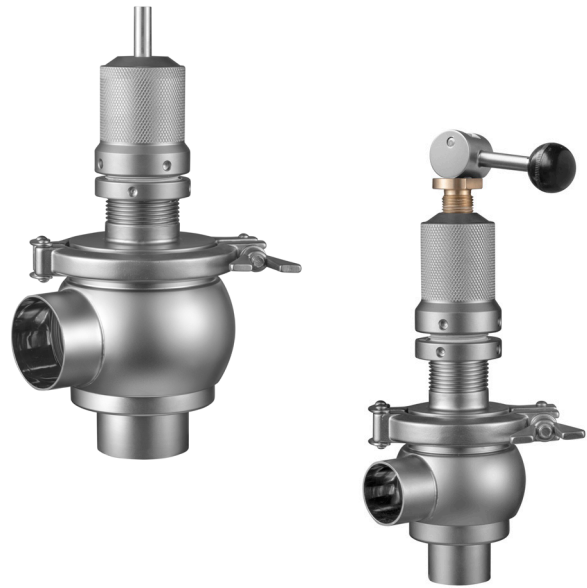


74700

Overflow valve



APPLICATION

The overflow valve is a valve used to perform pressure bypasses for safety purposes in order to protect lines, pumps, accessories, pools, etc.

With a sanitary design and fully manufactured in stainless steel, the 74700 valve is the most suitable option for protection of facilities in the dairies, food, beverages, pharmaceutical and fine chemicals industries.

OPERATING PRINCIPLE

Under normal operating conditions, the valve remains closed.

The valve is calibrated to a specific pressure by regulating the spring with the pressure nut. The calibrated pressure is a maximum safety pressure defined to avoid damage of the plant.

When the pressure in the circuit exceeds the calibrated pressure, the valve opens letting the flow pass and reducing the pressure of the pipe system.

The valve can incorporate a handle designed to partially open the valve. When the handle is kept in the open position during the CIP process, the cleaning products can pass through the valve.

DESIGN AND FEATURES

The valve is normally closed.

Easy manual adjustment.

TECHNICAL SPECIFICATIONS

Materials

Parts in contact with the product	1.4404 (AISI 316L)
Other stainless steel parts	1.4307 (AISI 304L)
Gaskets in contact with the product	EPDM

Surface finish

Internal	Bright polish $Ra \leq 0,8 \mu m$
External	Matt

Available sizes

DIN EN 10357 serie A
(previously DIN 11850 series 2)

DN 25 - DN 80

ASTM A269/270
(corresponds to OD pipe)

OD 1" - OD 3"

Connections

Weld
Male
Clamp

Operating limits

Maxim working temperature	121°C	250°F
Maximum working pressure as per spring standard	0 - 300 kPa (0 - 3 bar) 0 - 600 kPa (0 - 6 bar) ¹ 0 - 1000 kPa (0 - 10 bar)	0 - 43,5 PSI 0 - 87 PSI ¹ 0 - 145 PSI
manual	0 - 300 kPa (0 - 3 bar) 0 - 600 kPa (0 - 6 bar)	0 - 43,5 PSI 0 - 87 PSI

1) standard option

OPTIONS

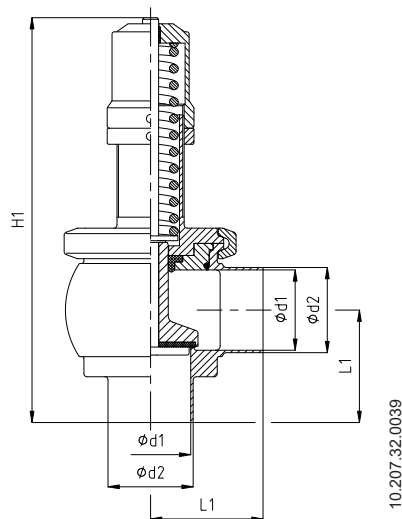
Seat seals in FPM and PTFE¹.

Several operating ranges by changing the spring.

The assembly of the handle allows to partially open the valve in order to allow the passage of fluid for CIP cleaning (for use with positive displacement pump bypass).

Safety seal to identify the factory calibration.

1) other seals in FPM

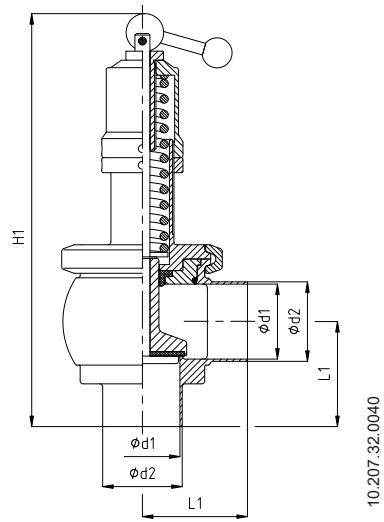
DIMENSIONS

	DN	Ød1	Ød2	L1	H1	kg ¹
DIN	25	26	29	50	219	2,0
	32	32	35	55	226	2,1
	40	38	41	60	238	2,8
	50	50	53	70	252	3,8
	65	66	70	80	289	6,4
	80	81	85	90	302	8,6

1) weld connection

	DN	Ød1	Ød2	L1	H1	kg ¹
OD	1"	22,1	25,4	50	219	2,0
	1½"	34,8	38,1	60	238	2,8
	2"	47,5	50,8	70	252	3,9
	2½"	60,2	63,5	80	289	6,3
	3"	72,9	76,2	90	302	8,6

1) weld connection



	DN	Ød1	Ød2	L1	H1	kg ¹
DIN	25	26	29	50	243	2,1
	32	32	35	55	255	2,2
	40	38	41	60	262	2,9
	50	50	53	70	274	3,9
	65	66	70	80	317	6,5
	80	81	85	90	329	8,8

1) weld connection

	DN	Ød1	Ød2	L1	H1	kg ¹
OD	1"	22,1	25,4	50	243	2,1
	1½"	34,8	38,1	60	262	2,9
	2"	47,5	50,8	70	274	4,0
	2½"	60,2	63,5	80	317	6,4
	3"	72,9	76,2	90	329	8,7

1) weld connection